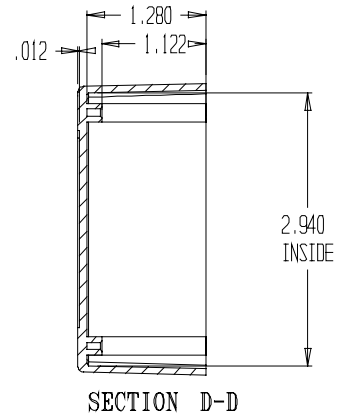
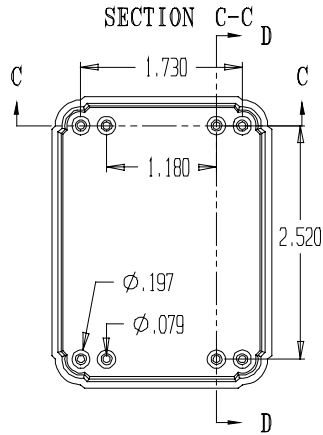
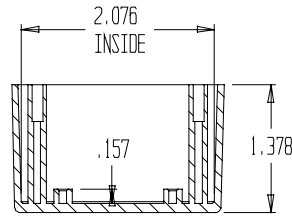
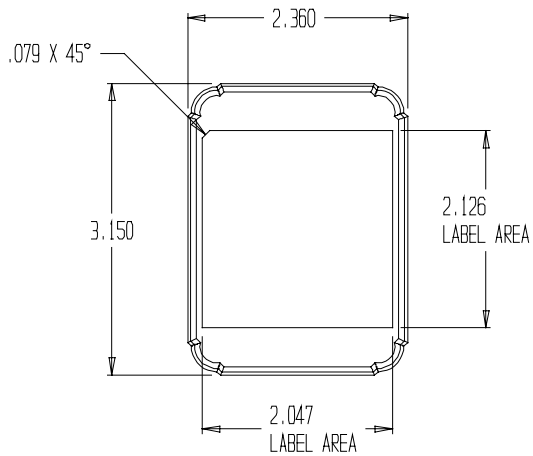


BOTTOM



RL6115 Project Enclosure
 Size: 3.15 x 2.36 x 1.57
 Material: ABS UL-94V0
 Color: Light Gray
 Supplied: Enclosure Screws(4)
 PCB Mounting Screws (4)

Tolerances		APP Advantage Plastic Products, Inc.		31 South Commercial Street Manchester, NH 03101 Tel (603) 829-9540 Fax (603) 829-9541	
.00	± .01	SCALE: FULL	APPROVED BY:	DRAWN BY: W.J.B.	
.000	± .005	DATE: 03/29/2004		SHEET: 0F	
.0000	± .0005	DETAIL: RL2 Project Enclosure		REVISED:	
Angles	± 1/2°	PART: RL6115		NAT.	
		CUSTOMER:		CAD NO. RL6115 DRW	