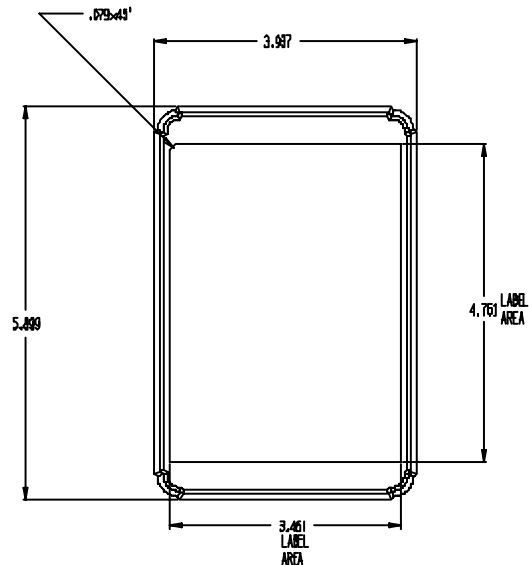


RL6465-F Project Enclosure  
 Size: 5.90 x 3.94 x 3.545  
 Material: ABS UL-94V0  
 Color: Light Gray  
 Supplied: Enclosure Screws(4)  
 PCB Mounting Screws (4)



Tolerances		APP Advantage Plastic Products, Inc.		APPROVED BY: V.J.B.	
.01	+ .01	SCALE: 3/4	DATE: 01/05/06	REVISION:	REVISED
.000	+ .005	DETAIL: RL2 Project Enclosure		PART RELEASED TO:	
.000	+ .0005	CUSTOMER:		CUST. NO. RL6465-F (DR)	
Angles	+ .12				