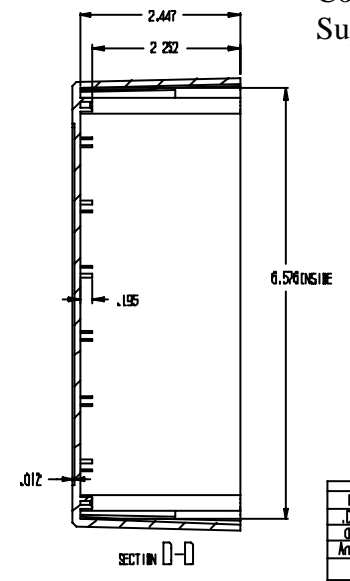
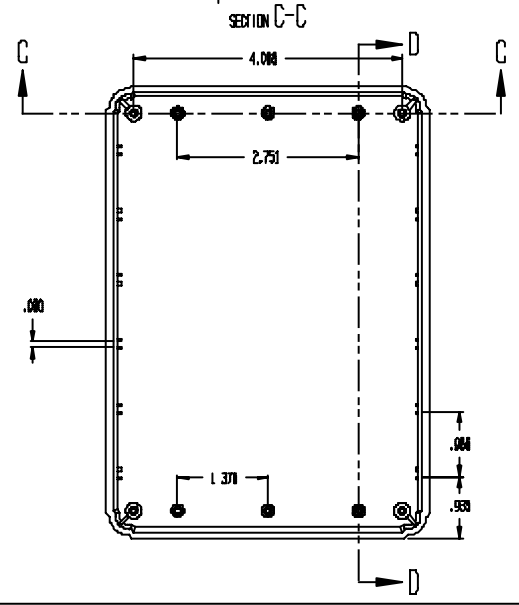
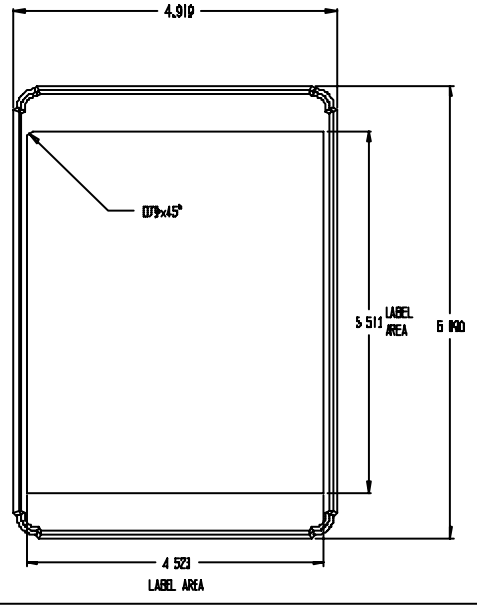


RL6555-F Project Enclosure  
 Size: 6.89 x 4.92 x 2.75  
 Material: ABS UL-94V0  
 Color: Light Gray  
 Supplied: Enclosure Screws(4)  
 PCB Mounting Screws (4)



Tolerances:		<b>APP</b> Advantage Plastic Products, Inc. SCALE: 3/4 DATE: 01/22/06 PART: RL6555-F CUSTOMER:	81 North Commercial Street Westborough, MA 01581 Tel: (508) 853-8800 Fax: (508) 853-8811
OD	± .01		
ODD	± .005		
Angles	± .1/2		
APPROVED BY:			
DATE:	01/22/06	DRAWN BY: M.J.L.B.	SHEET: 1F
PART:	RL6555-F	REVISION:	
CUSTOMER:		MAI:	
		CAD NO:	RL6555-F.DWG