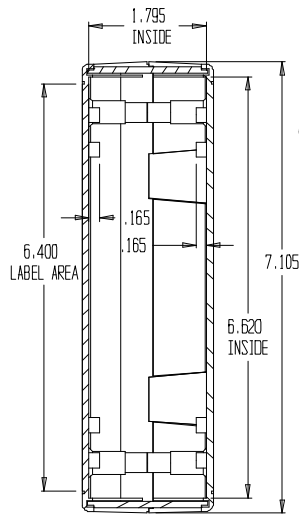
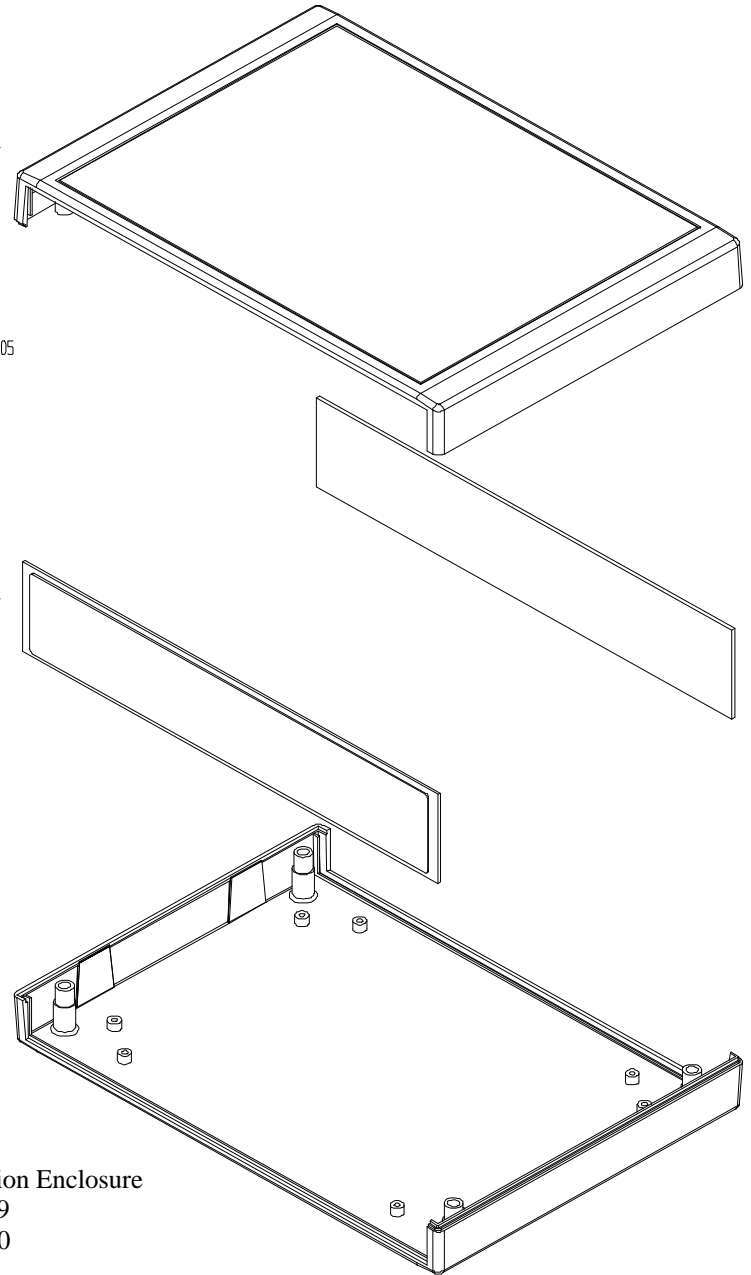


END PANEL



SECTION A-A



**RM2095S Instrumentation Enclosure**  
 Size: 9.87 X 7.10 X 1.99  
 Material: ABS UL-94V0  
 Color: Light Gray

Supplied: Enclosure Screws (4)  
 PCB Mounting Screws (4)  
 Options: IR Front Panel – PMMA dark red  
 Aluminum Front Panel - Anodized

<b>APP</b> Advantage Plastic Products, Inc.		81 South Commercial Street Manchester, NH 03101 Tel (603) 829-9640 Fax (603) 829-9641	
		SCALE: NONE DATE: 11/14/2001 DETAIL:	APPROVED BY: REVISED:
PART: RM2095S INSTRUMENT ENCLOSURE CUSTOMER:		CAD NO. RM2095S	